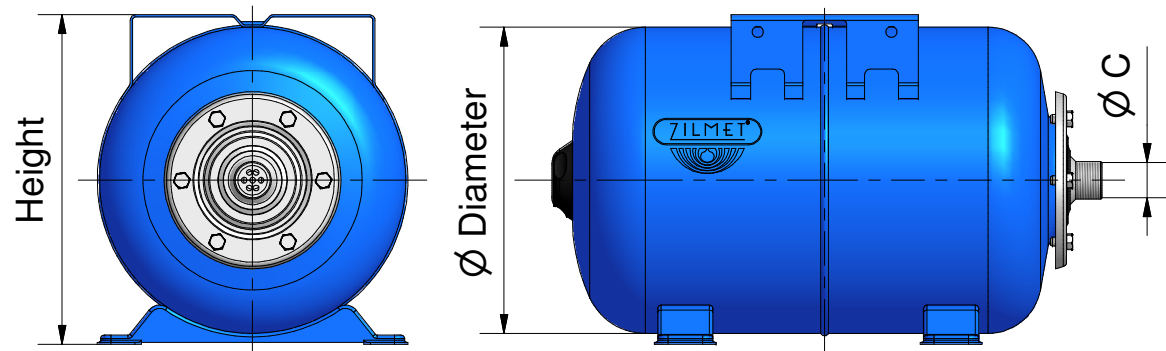


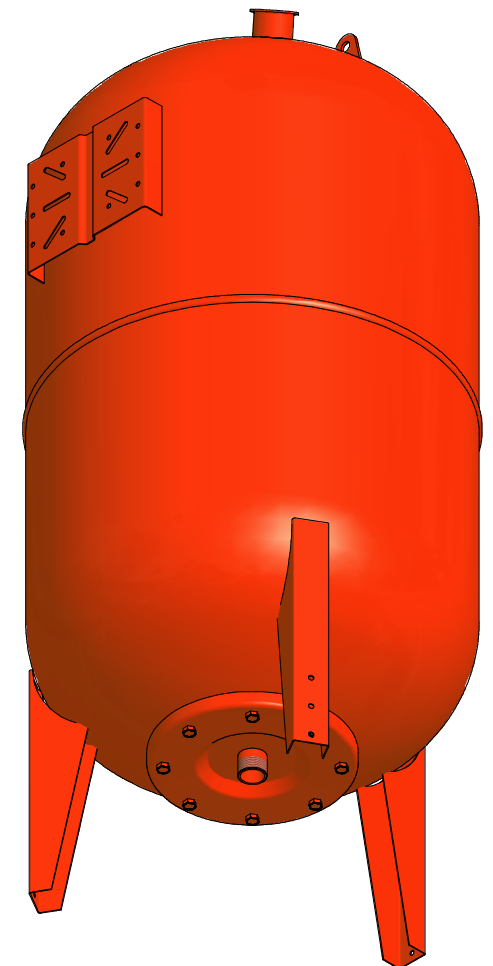
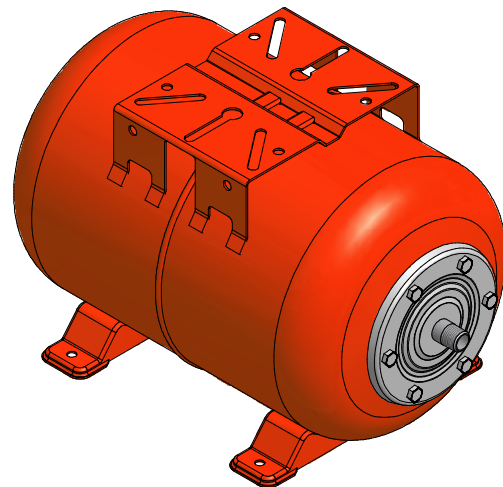
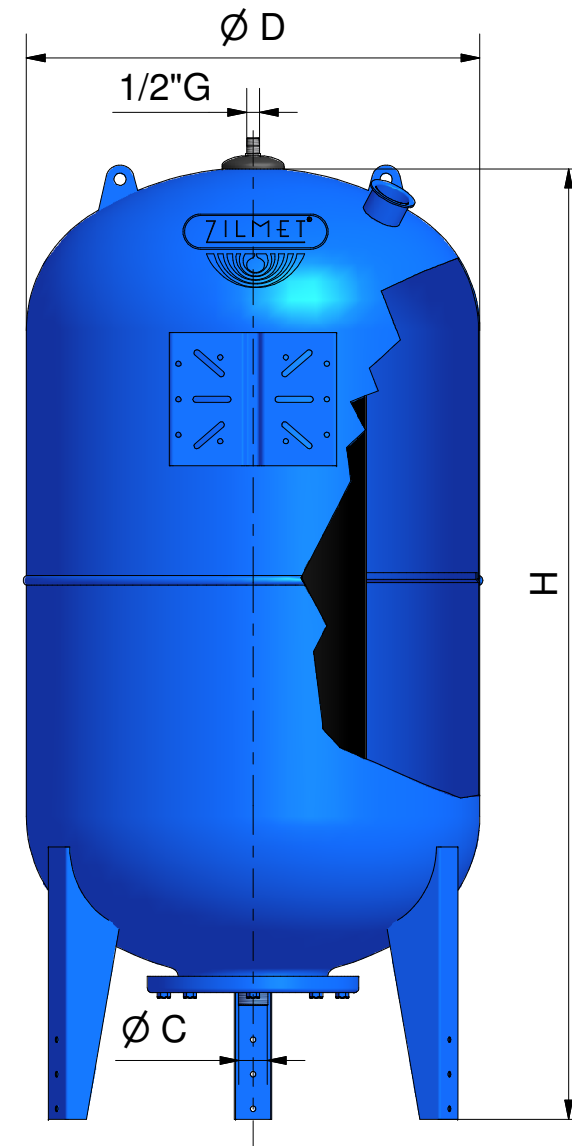
Technical drawing ULTRA - PRO CE
Drawing nr. 20014 CE

This drawing is property
of company Zilmet S.p.A.
All rights reserved

HORIZONTAL MODEL



VERTICAL MODEL



MADE IN ITALY